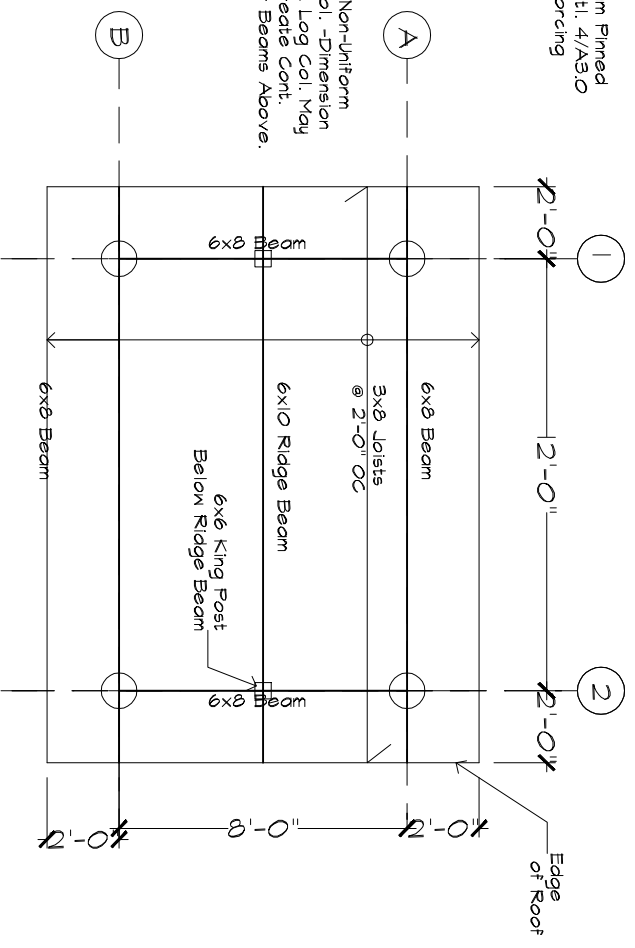
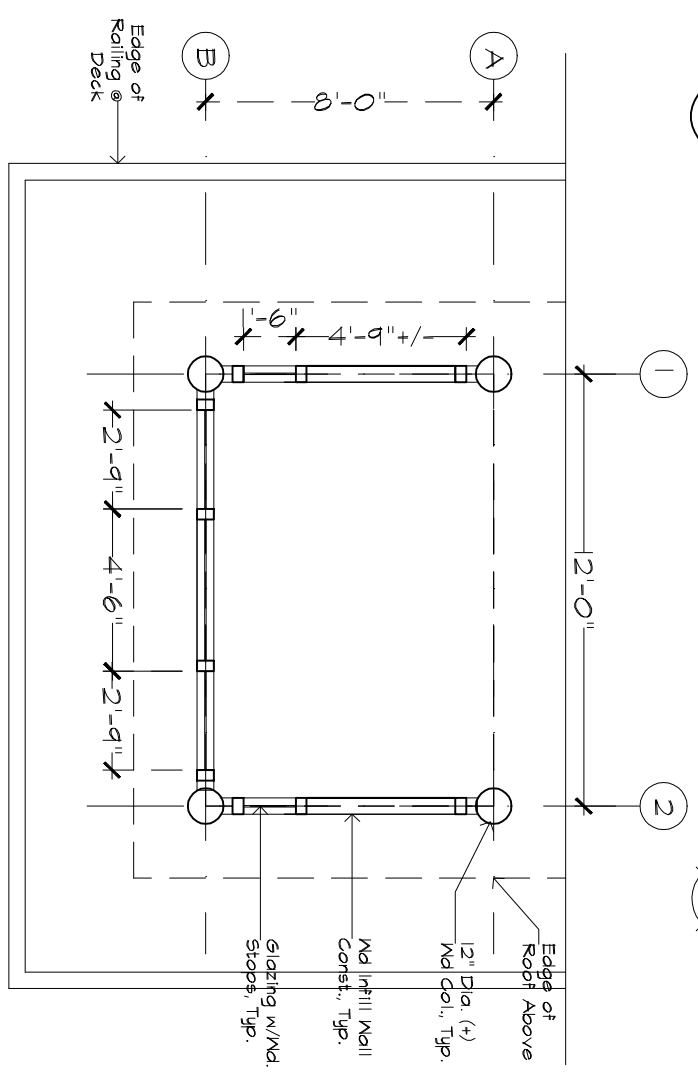


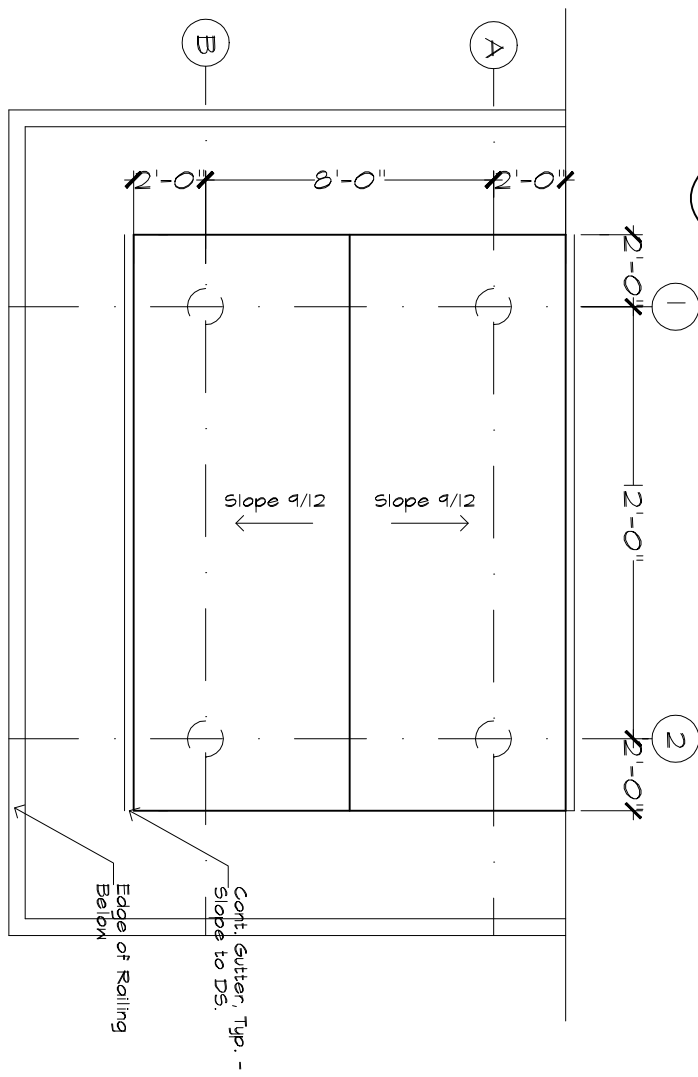
1 Transit Shelter - Foundation & Floor Framing
1/4" = 1'-0"



3 Transit Shelter - Roof Framing Plan
1/4" = 1'-0"



2 Transit Shelter - Plan
1/4" = 1'-0"



4 Transit Shelter - Roof Plan
1/4" = 1'-0"

Architectural Complete-Verify Structural Prior to Construction

A1.0

KGB Totem Bight Transit Shelter
North Tongass Highway
Ketchikan, Alaska

MILLARD + ASSOCIATES ARCHITECTS

309 STEDMAN STREET
KETCHIKAN, ALASKA 99901
TEL: 907. 225.7133
FAX: 907. 247.7383

DATE: 6.15.2008
REV: .