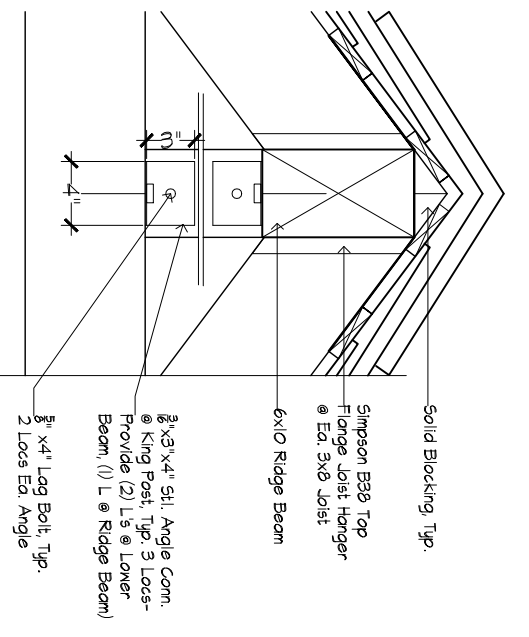
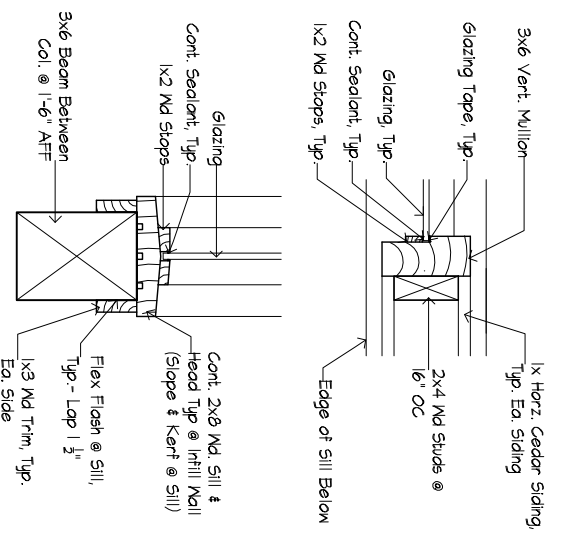


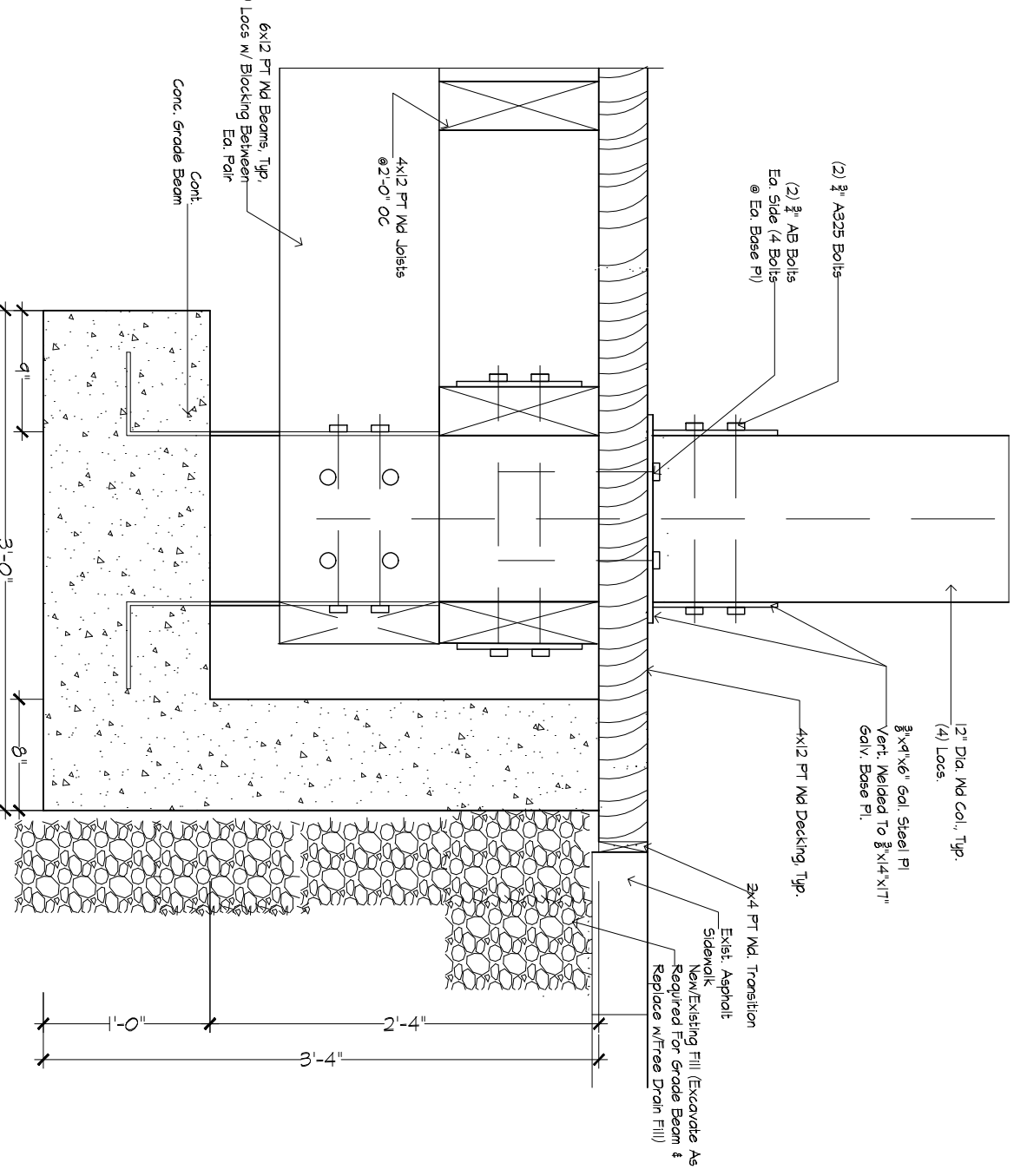
1A Z-Bracket Detail
1/12" = 1'-0"



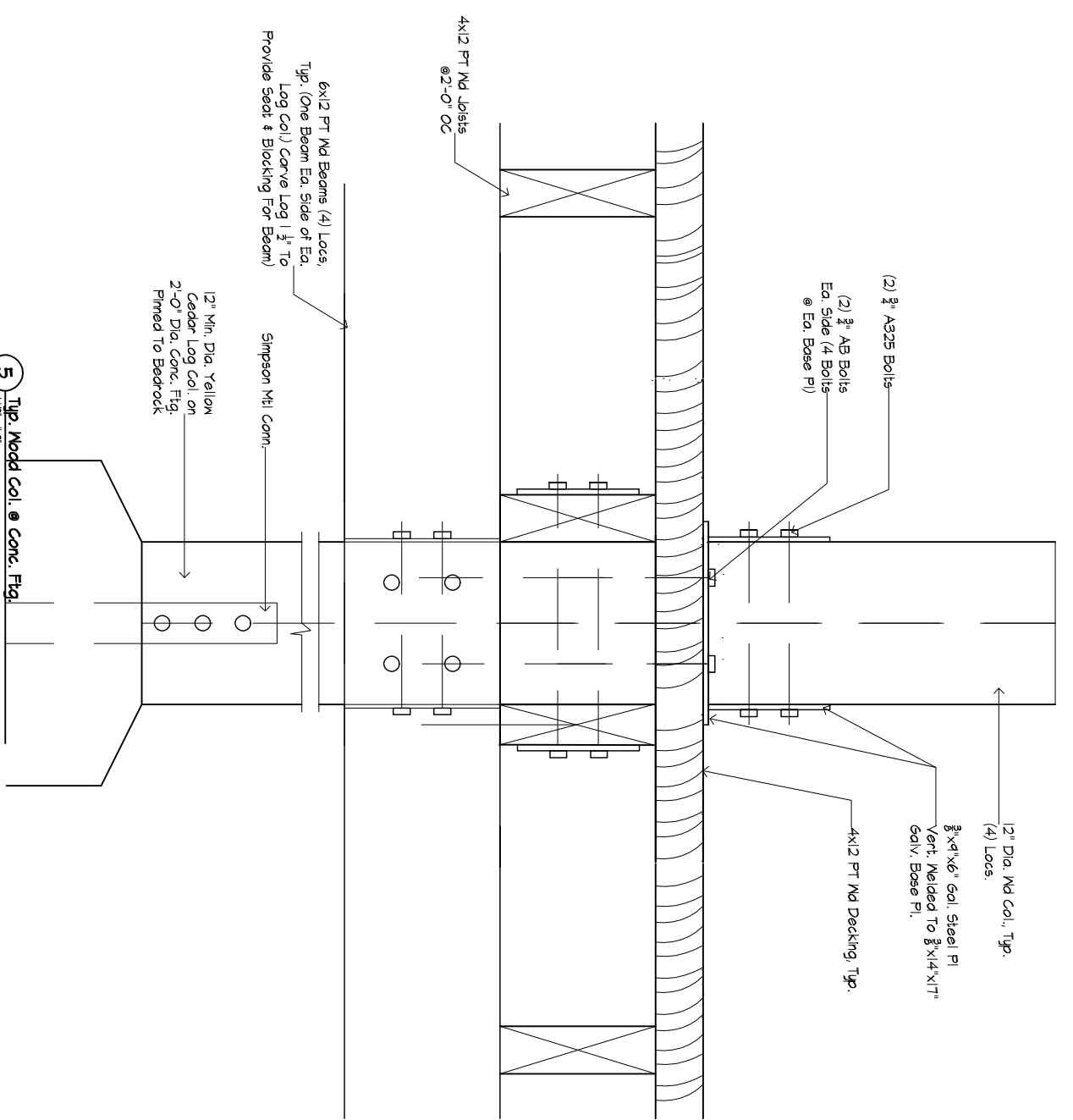
2 Ridge Beam/Post Corn.
1/12" = 1'-0"



3 Top. Infill Wall & Glazing
1/12" = 1'-0"



4 Top. Wood Col. @ Conc. Grade Beam
1/12" = 1'-0"



5 Top. Wood Col. @ Conc. Fig.
1/12" = 1'-0"

Architectural Complete-Verify Structural Prior to Construction

KGB Totem Bight Transit Shelter
North Tongass Highway
Ketchikan, Alaska

MILLARD + ASSOCIATES ARCHITECTS

309 STEDMAN STREET
KETCHIKAN, ALASKA 99901
TEL. 907. 225.7133
FAX. 907. 247.7383

DATE 8.15.2009
REV.

A3.0
Details